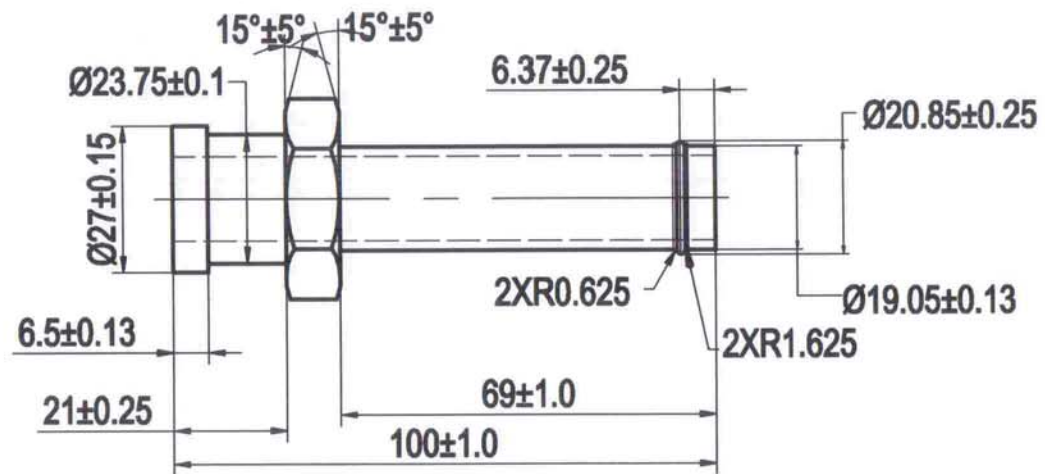
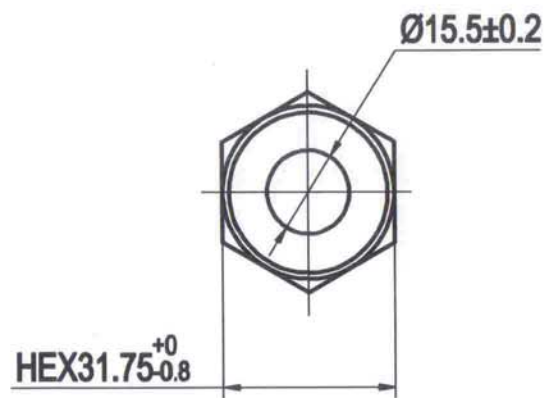


REV 更改号	DATE 日期	REVISION DETAILS 更改内容	APPD 审核并批准



UNLESS SPECIFIED  
ALL DIMENSIONS IN mm  
MACHINED SURFACES Ra=3.2um  
ANGLE TOLERANCES ±1°  
Other tolerance except angles,  
in accordance with  
GB/T1804-2000(ISO2768-0-m and  
GB/T1804-1996(ISO 2768-2)-m

其它事项  
图示尺寸单位为mm,  
未注机加工表面粗糙度Ra=3.2um  
未注角度公差±1°  
其它未注公差(除角度外)均按:  
GB/T1804-2000(ISO2768-1)-m 和  
GB/T1184-1996(ISO2768-2)-m



PART NO 零件名	41053-12-12FSSW
----------------	-----------------

MATERIAL	Chinese steel 45
FINISH	Remove all sharp edges ,burrs ,Slivers and swarf, break all edges 0.127-0.254mm. Zinc Plated With Trivalent Chromate And No Red Corrosion In 96 Hours Salt Spray Test.

SCALE NTS	APPD: 批准: Zhangjian	DRN 制图: WAN QIU
	DATE 日期: 20/05/15	CHK 审核: YB. ZHAN